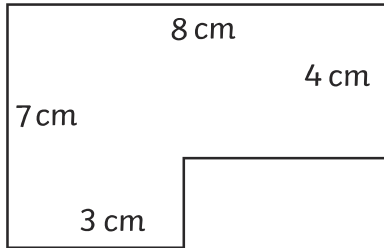


Calculate the Perimeter of Composite Rectilinear Shapes

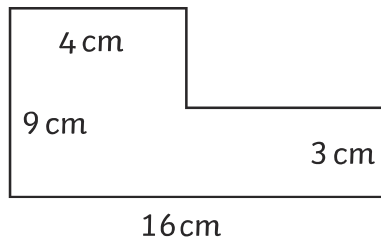
I can calculate the perimeter of simple composite rectilinear shapes.

Add the length of each side to find the perimeter of each shape. Not to Scale.

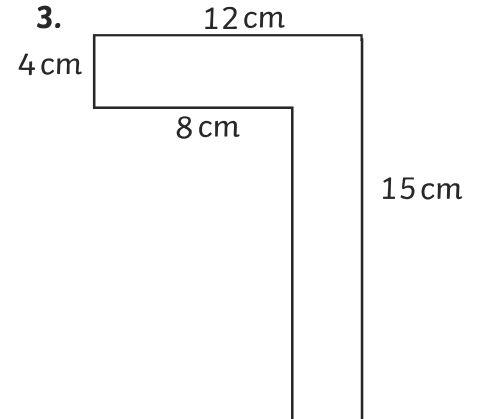
1.



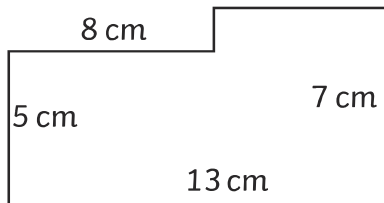
2.



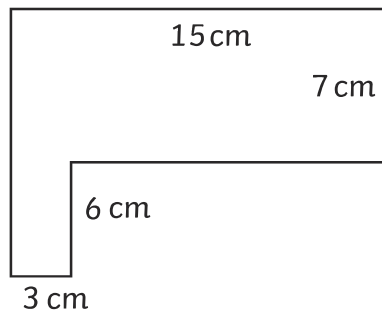
3.



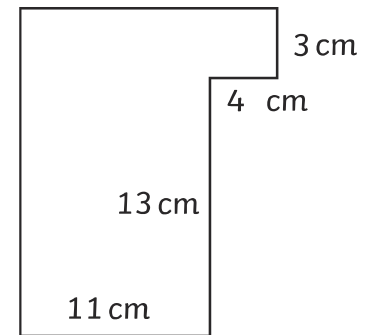
4.



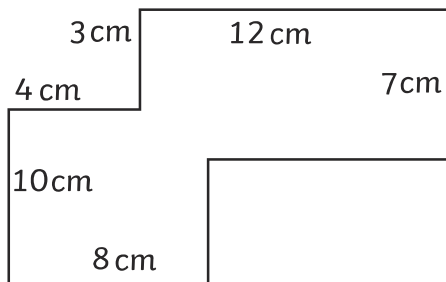
5.



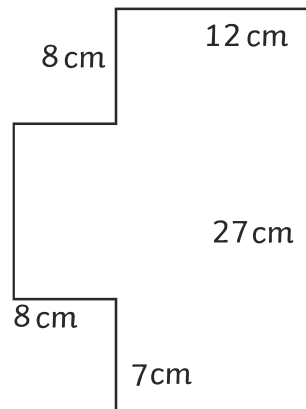
6.



7.



8.



9.

