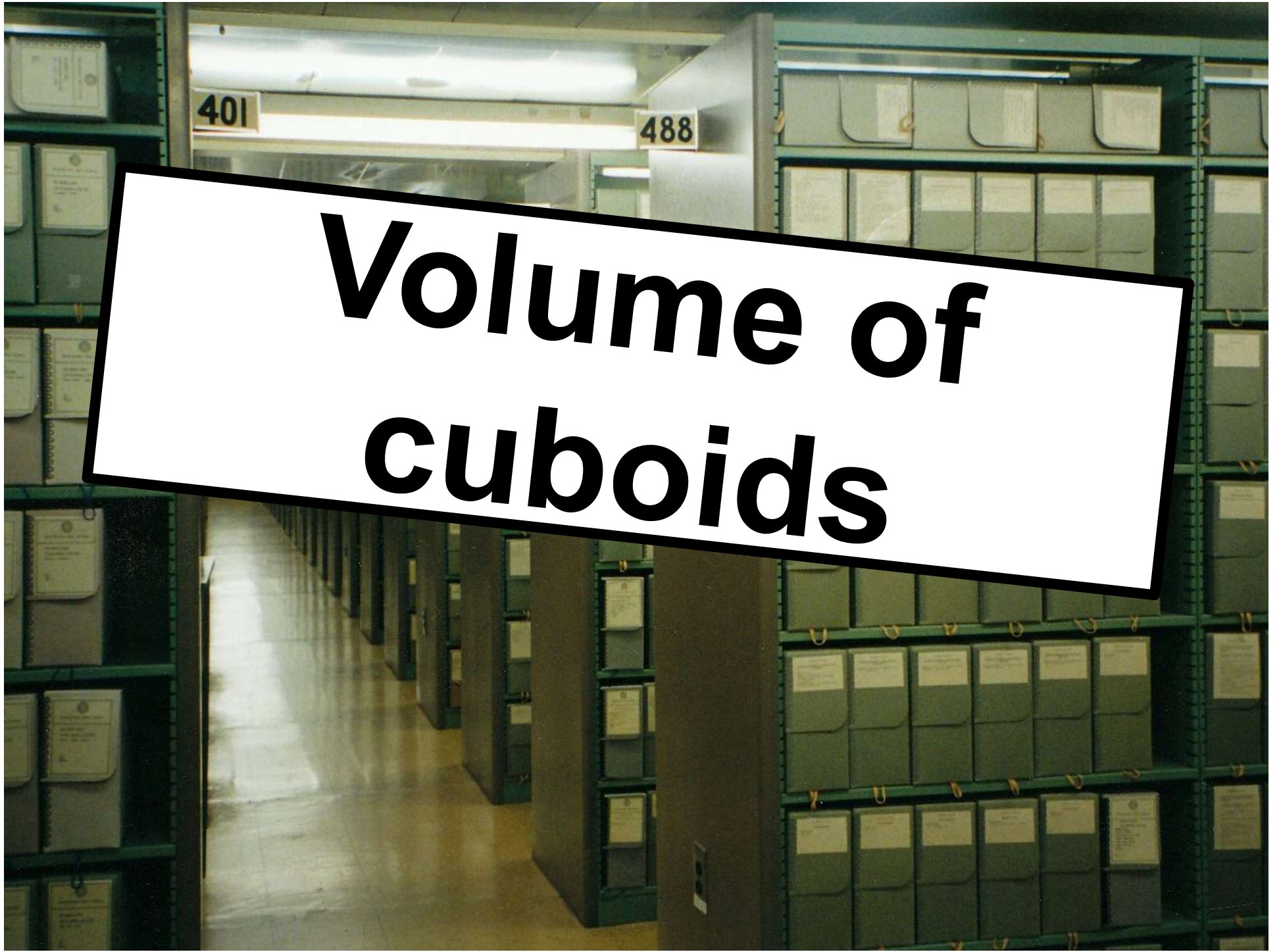


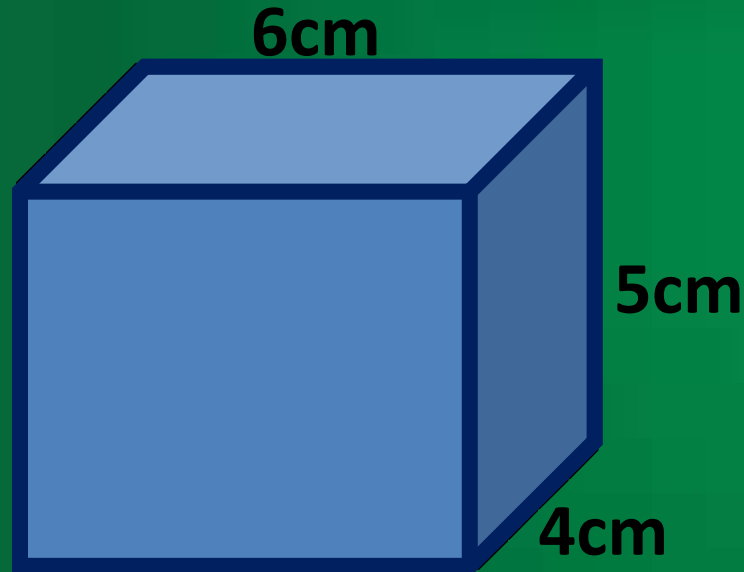
401

488

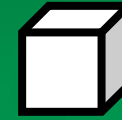
Volume of *cuboids*



Find the volume of the blue cuboid



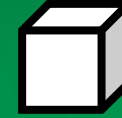
$$6 \times 4 \times 5 = 120$$



This is a 1 cm cube, each length of the cube is 1 cm, to find the volume of a shape we need to see how many of these fit into the big shape

120 1 cm cubes fit into this cuboid, we say it's volume is 120cm^3

Find the volume of the blue cuboid

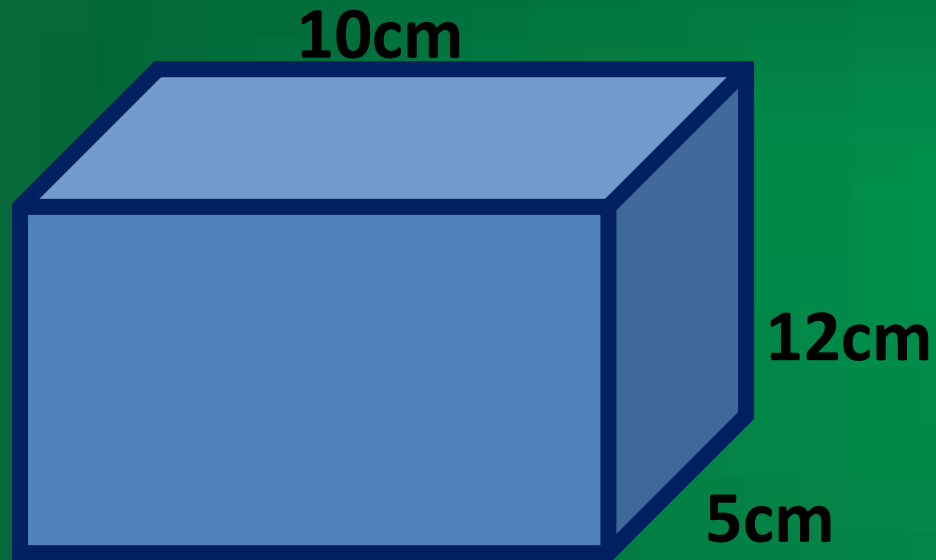


$$8 \times 4 \times 3 = 96$$

This is a 1 cm cube, each length of the cube is 1 cm, to find the volume of a shape we need to see how many of these fit into the big shape

96 1 cm cubes fit into this cuboid, we say it's volume is 96cm^3

Find the volume of the blue cuboid



$$10 \times 12 \times 5 = 600$$

600cm cubes fit into this cuboid, we say it's volume is 600cm^3

Find the volume of these cuboids

1

10cm



2

3cm



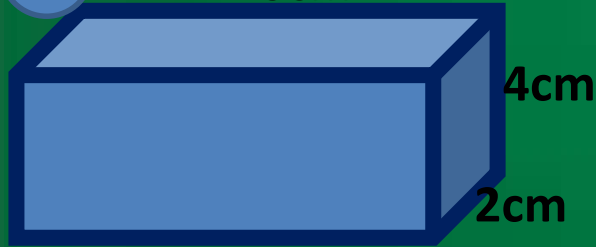
3

11cm



4

20cm



5

7cm



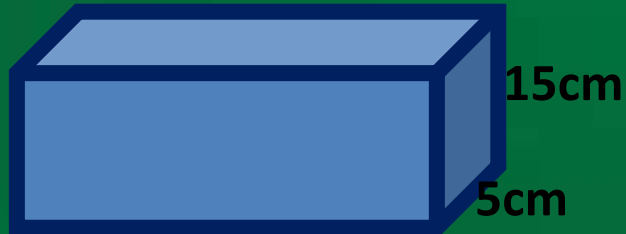
6

30cm



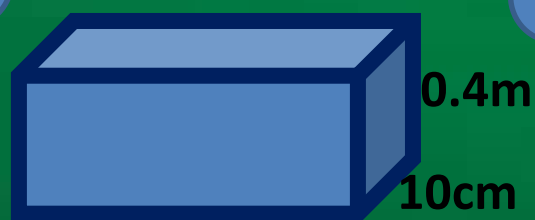
7

1m



8

0.5m



9

1.5m

